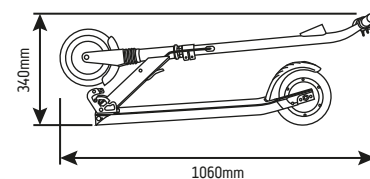
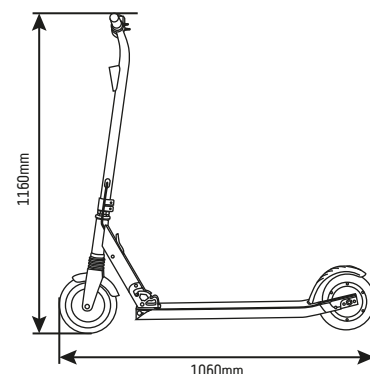


AGE
10-16
years



8" tyres



LCD display



250W motor

Technical specifications

Product Code: VR-M0-210004
Ean Code: 8052870486417

Basic info	
Frame material	aluminium and steel
Suspension	front
Max speed*	Level 1: 6km/h, level 2: 20km/h, level 3: 25km/h (maximum speed)
Brakes	electronic and pedal brake
Motor power	250W 36V
Tyres	8" with solid front and rear inner tube
Motor type	brushless
Max load	90kg
Riding requirements	consult the laws and regulations currently in force in your country
Working Temperature	-10°C / 40°C
Level of protection	IP54
Charging time	about 3-4 hours
Range**	up to 15km

Electric system	
Motor	250W 36V
Display	LCD
Battery	36V 5.2Ah 187Wh
Light	front and rear
Charger	UE Standard DC 2.1 Charger, 42V, 1.5A

Dimensions and Weights	
Net weight	11kg
Gross weight	14.5kg
Unit size	1060 x 430 x 1070mm
Folded size	1040 x 430 x 350mm
Carton size	1095 x 180 x 400mm

* Always respect the highway code and the regulations in force in the country of use.
** Subject to variations based on driver weight, road conditions and temperature.